

## MECHANICAL DISASSEMBLY (Continued)

### Half Loading Arm Removal (Fig. 43)

1. Remove the cassette loading mechanism.
2. Remove the retaining washer and pull out the half loading arm.

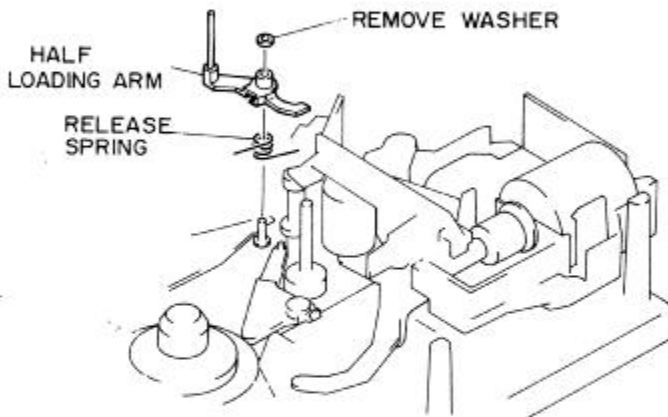


Fig. 43 - Half Loading Arm Removal

### Relay Arm Removal (Fig. 44)

1. Remove the cassette loading mechanism and the half loading arm.
2. Release one (1) tab and pull out the relay arm.

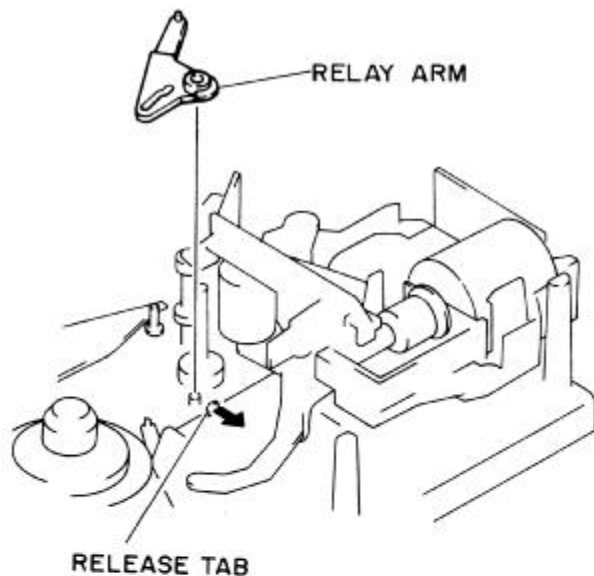


Fig. 44 - Relay Arm Removal

### Pressure Roller Assembly Removal (Fig. 45)

1. Remove the cassette loading mechanism and the half loading arm.
2. Release one (1) tab holding the cassette lid opener.
3. Remove the pressure roller assembly from the load bracket assembly.

**Note:** When reinstalling the pressure roller assembly, confirm that the hole in the pressure roller operation arm is on the pin of the pressure roller arm. After replacing, clean the tape contact surface of the roller.

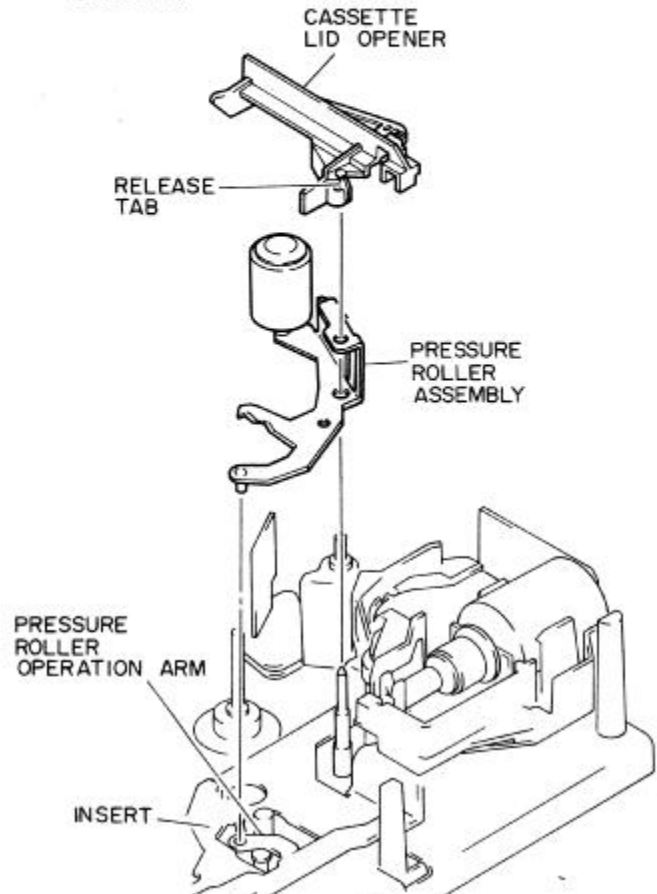


Fig. 45 - Pressure Roller Assembly Removal

### P1 Guide Post Removal (Fig. 46)

1. Remove the nut securing the P1 guide post.
2. After replacement or reinstallation of the P1 guide post, clean the tape contact surface of the post.

**Note:** After installation of guide post, perform the P1 guide post adjustment.

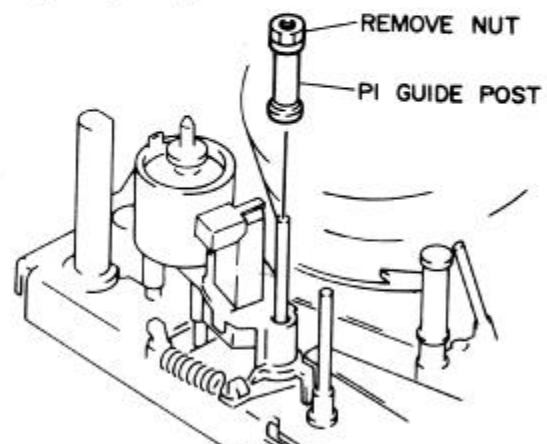


Fig. 46 - P1 Guide Post Removal