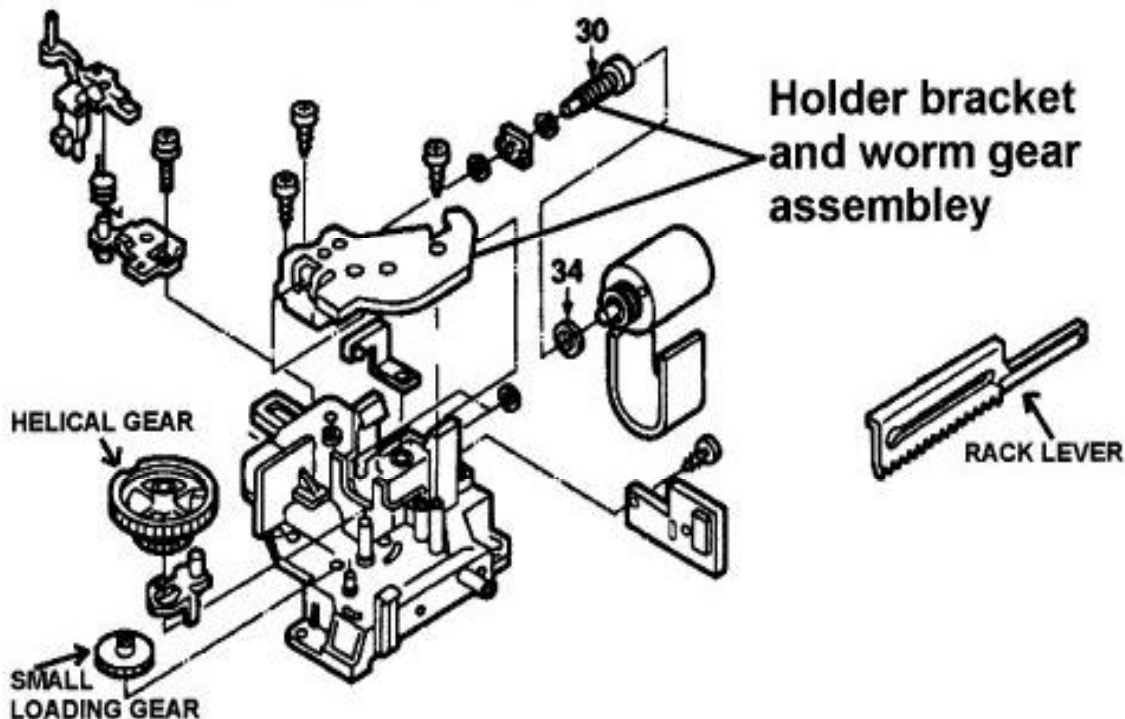


SANYO / FISHER P88, 90, 91

These are the alignment instructions
from Sanyo-Fisher Service Co.



1. REMOVE THE HOLDER BRACKET WITH ITS WORM GEAR
(Comes out as one piece after removing 3 screws)
2. REMOVE THE HELICAL GEAR.
(May have to lift up to disengage then rotate 180degrees to get it out past a small PCB.)
- 2a. Replace short loading belt NOW!
3. UNPLUG THE CONNECTOR WIRE HARNESS FROM THE FRONT LOADER
4. PLUG IN THE AC CORD AND TURN ON THE POWER. THE TAPE GUIDES WILL GO INTO THE LOAD POSITION.
5. UNPLUG THE AC POWER CORD. THIS LEAVES THE UNIT IN THE LOADED POSITION.
6. PUSH THE LEVER FORWARD ON THE LEFT SIDE OF THE FRONT LOADER, SO THE CARRIAGE WILL GO DOWN. THE LAST TWO TEETH ON THE FRONT LOAD RACK LEVER WILL ENGAGE WITH THE SMALL LOADING GEAR.
7. REINSTALL THE HELICAL GEAR.
8. REINSTALL THE HOLDER BRACKET AND ITS WORM GEAR.
9. PLUG IN THE WHITE 6 WIRE CONNECTOR FROM THE FRONT LOADER
10. PLUG IN THE AC CORD. TURN ON THE POWER AND PRESS EJECT...